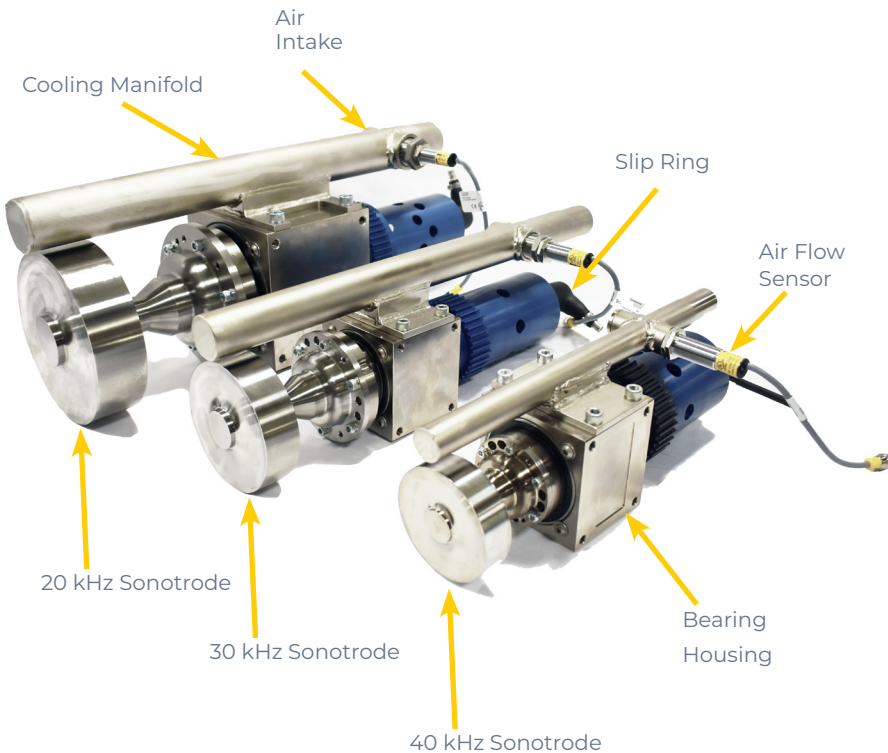


# Sonisolution™ RS Series

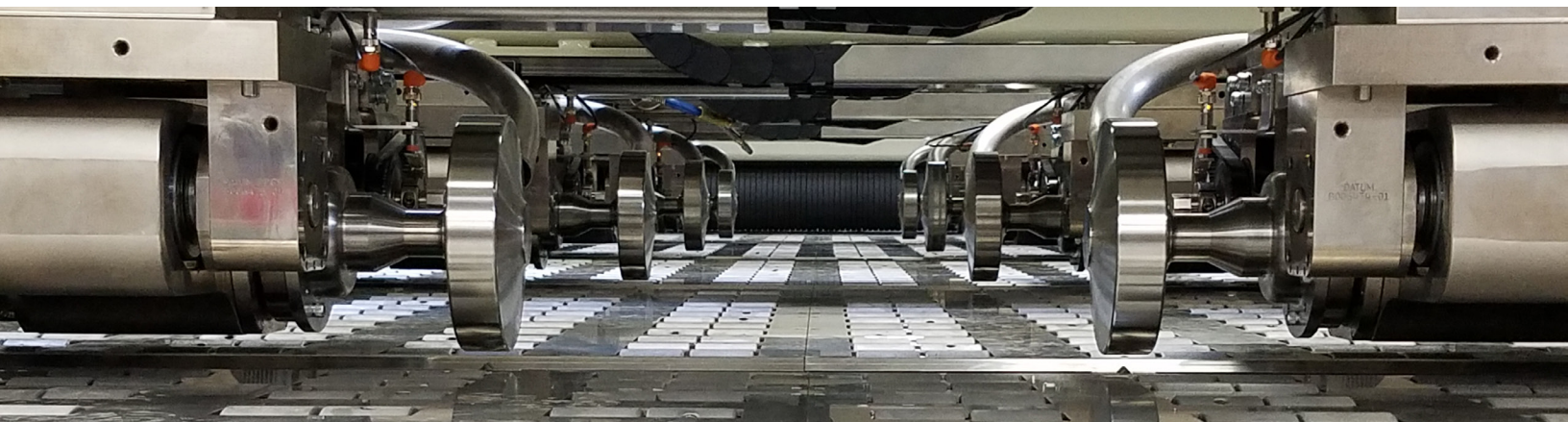
Ultrasonic Sealer for Specialty Applications and OEM Integration

## AURIZON TECHNOLOGY



### Benefits

- Freedom to design the ultrasonic energy source into your system.
- Lightweight and compact design allows for easy integration vertically or horizontally.
- Unlimited cross directional bond width - depends on your process design.
- Rolling contact enables better sealing over varying material thicknesses.
- Maintain precise control of seal integrity during start-stop conditions.
- Faster process speeds with mechanical capability of speeds up to 800 mpm/2600 fpm.
- Energy savings over other sealing methods.
- Maximizes seal strength, consistency and quality.



IT'S THE CONNECTION THAT COUNTS

**DUKANE**

# Sonisolution™ RS SERIES

## Ultrasonic Solutions for Specialty Applications

Maximize capabilities for your customers by offering them an improvement to pressure, thermal and adhesive processing with advantages such as increasing process throughput, reducing material costs and saving energy.

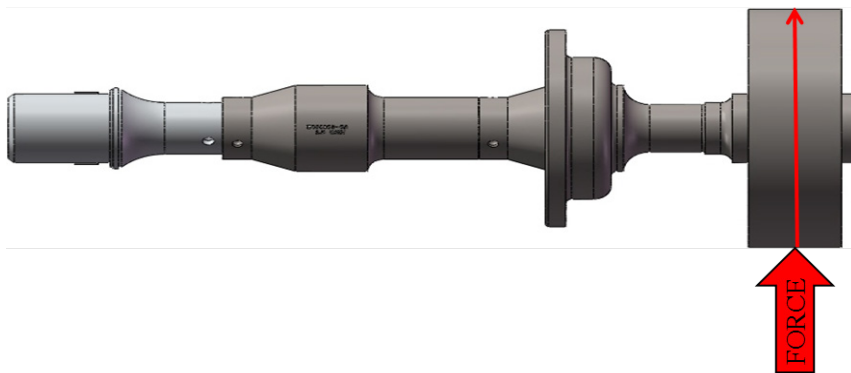
The Sonisolution™ RS Series of rotary ultrasonic sonotrode assemblies is suitable for many different applications including fin and lap sealing, tube forming, bonding, feature attachment, embossing, sheet lamination, cutting and slitting.

### SONISOLUTION™ RS SERIES Product Selection Chart

RS 20	RS 30	RS 40
<b>SPEED</b> 2600 fpm/800 mpm	<b>SPEED</b> 2000 fpm/600 mpm	<b>SPEED</b> 750 fpm/225 mpm
<b>POWER</b> 5000W peak/2500W avg 4.0 mils amplitude 200 #F load	<b>POWER</b> 1800W peak/900W avg 3.0 mils amplitude 150 #F load	<b>POWER</b> 1200W peak/600W avg 2.0 mils amplitude 100 #F load
<b>SONOTRODE WIDTH</b> up to 75 mm/3"	<b>SONOTRODE WIDTH</b> up to 50 mm/2"	<b>SONOTRODE WIDTH</b> up to 25 mm/1"

FREQUENCY	SONOTRODE WIDTH (maximum bond width)	SONOTRODE DIAMETER	BEARING HOUSING HEIGHT/WIDTH	CLEARANCE NEEDED ON EACH SIDE OF SYSTEM	BOOSTER GAIN	AVAILABLE POWER	TOP PROCESS SPEED (application specific)	APPROX. MACHINE DIMENSIONS		
								WIDTH	LENGTH	DEPTH
20 kHz	3" 75mm	6.7"-6.9" 170 mm-175 mm	6.1" 155 mm	0.3"-0.4" 7.6-10.2 mm	1.0, 1.25, 1.5, 2.0	5000W	2600 fpm 800 mpm	9.1" 232 mm	24.2" 614 mm	8.4" 212 mm
30 kHz	2" 50mm	4.5"-4.6" 114 mm-117 mm	3.9" 100 mm	0.28"-0.33" 7.2-8.4 mm	1.0, 1.5	750W 1800W	1500-2000 fpm 450-600 mpm	7.2" 184 mm	19.8" 502 mm	6.9" 175 mm
40 kHz	1.33" 34mm	3.4"-3.5" 86 mm-89 mm	3.9" 100 mm	n/a	1.25, 1.5, 1.75, 2.0	600W 750W 1200W	750 fpm 225 mpm	5.9" 150 mm	16.5" 420 mm	6.6" 169 mm

\*Weight and dimensions are approximate and do not include additional components.



One of the key advantages of the rotary sonotrode is the ability to achieve very high amplitudes and operate in contact with other surfaces. Impact force to the radial surface of the rotary horn does not damage the converter.

For more information, speak with your Dukane representative, contact your Dukane regional office or visit [dukane.com](http://dukane.com)

United States St. Charles, Illinois +1.630.797.4900	United States Kimberly, WI +1.920.750.5080	China Changzhou, Jiangsu +86.519.85966719	Japan Kashiwa, Chiba +81.4.7136.2165
India Chennai, Tamil Nadu +91.44.2478.3448	Germany Bielefeld, Ostwestfalen-Lippe +49.521.932070	Mexico Santa Catarina, Querétaro +52.442.198.0206	Czech Republic Prague +420.220.970.509

