

TH3-2040

Hot Gas, Infrared, & Hot Plate Welding

Triple Axis servo welding solution for contoured or complex thermoplastic parts. One Platform, Three Welding Solutions

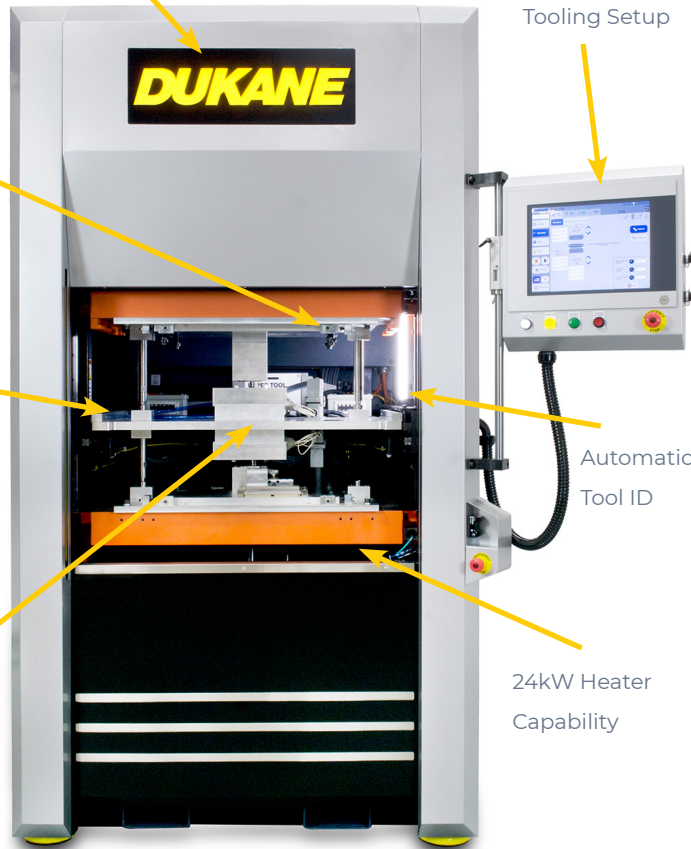
Machine Status Indicator

Auto-Teach Tooling Setup

Intelligent tooling interface

3 axis coordinated servo motion with torque feedback

12 Zone Heater Phase Angle IR or Hot Plate Control



Benefits

- Intuitive programming and set up
- Rapid changeover between Hot Plate and Infrared tools
- Particulate free welding options
- Precise and repeatable welding processes
- High speed smooth servo motion
- Flexible welding - One platform, three welding solutions
- Adaptable expandable control of tool action sensing and vacuum
- Multiple platen sizes available

Designed for Versatility

The Thermal Hybrid welder is designed with easy tooling changeover to accommodate a variety of parts. From reservoirs, taillight lenses, and batteries, either rigid or flexible thermoplastics, our one platform is your complete welding solution. These three solutions are commonly used when trying to attain a hermetic seal and can achieve weld strengths approaching that of the virgin material.



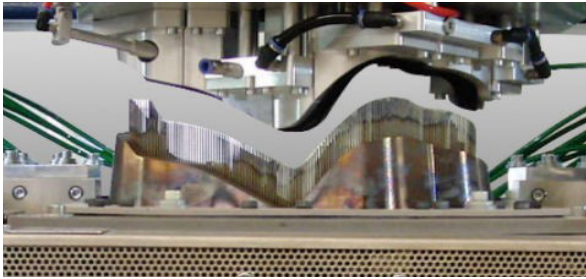
It's The Connection That Counts

DUKANE

TH3-2040 Hot Gas, Infrared, & Hot Plate Welding

The versatile solution for your applications.

Particulate Free & Non-Contact Welding

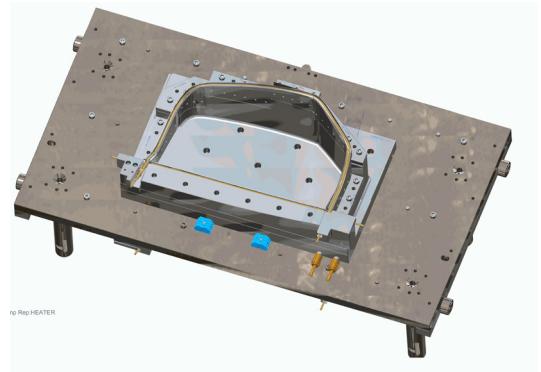


Hot Gas Welding

- Strongest, Cleanest welding solution available
- Oxidation free welding solution
- Ability to weld most thermoplastic materials - Rigid and Flexible
- Reduces mechanical stress on the plastic parts

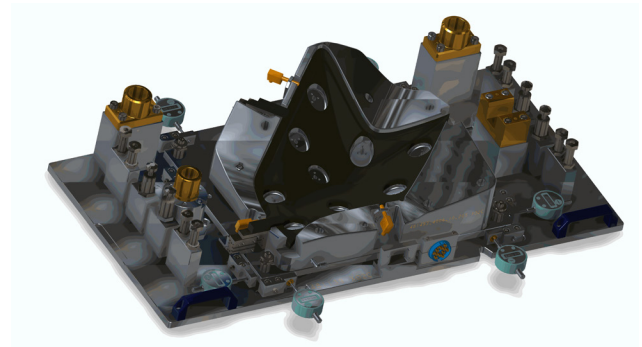
Infrared Welding

- Custom contoured quartz short-wave emitters designed for greater range and part variability
- Dukane's high-strength shielding eliminates particulate and cracking
- Water-cooled shields to fully protect emitters



Hot Plate Welding

- Forgiving to multi-plane and contoured parts
- Multiple temperature zones for maximum melt control
- Rapid changeover to maximize material bond strength



For more information, speak with your Dukane representative or contact your Dukane regional office.

United States
St. Charles, Illinois
+1.630.797.4900 Phone

Czech Republic
Prague
+420.220.970.509 Phone

China
Changzhou, Jiangsu
+86.519.85966719 Phone

Japan
Kashiwa, Chiba
+81.4.7136.2165 Phone

India
Chennai, Tamil Nadu
+91.44.2478.3448 Phone

Germany
Bielefeld, Ostwestfalen-Lippe
+49.521.932070 Phone

Mexico
Santa Catarina, Querétaro
+52.442.198.0206 Phone

For additional information visit us at: www.Dukane.com



DUKANE