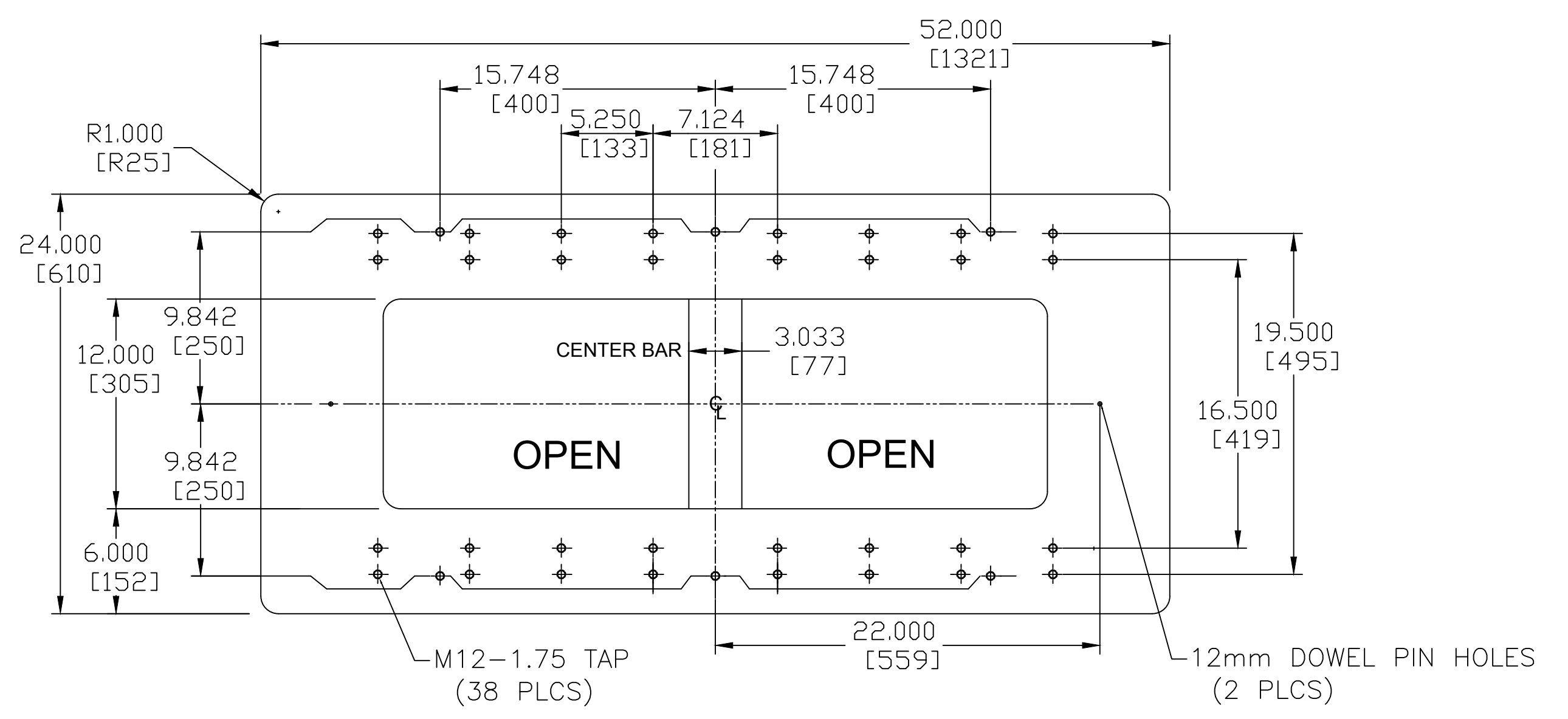
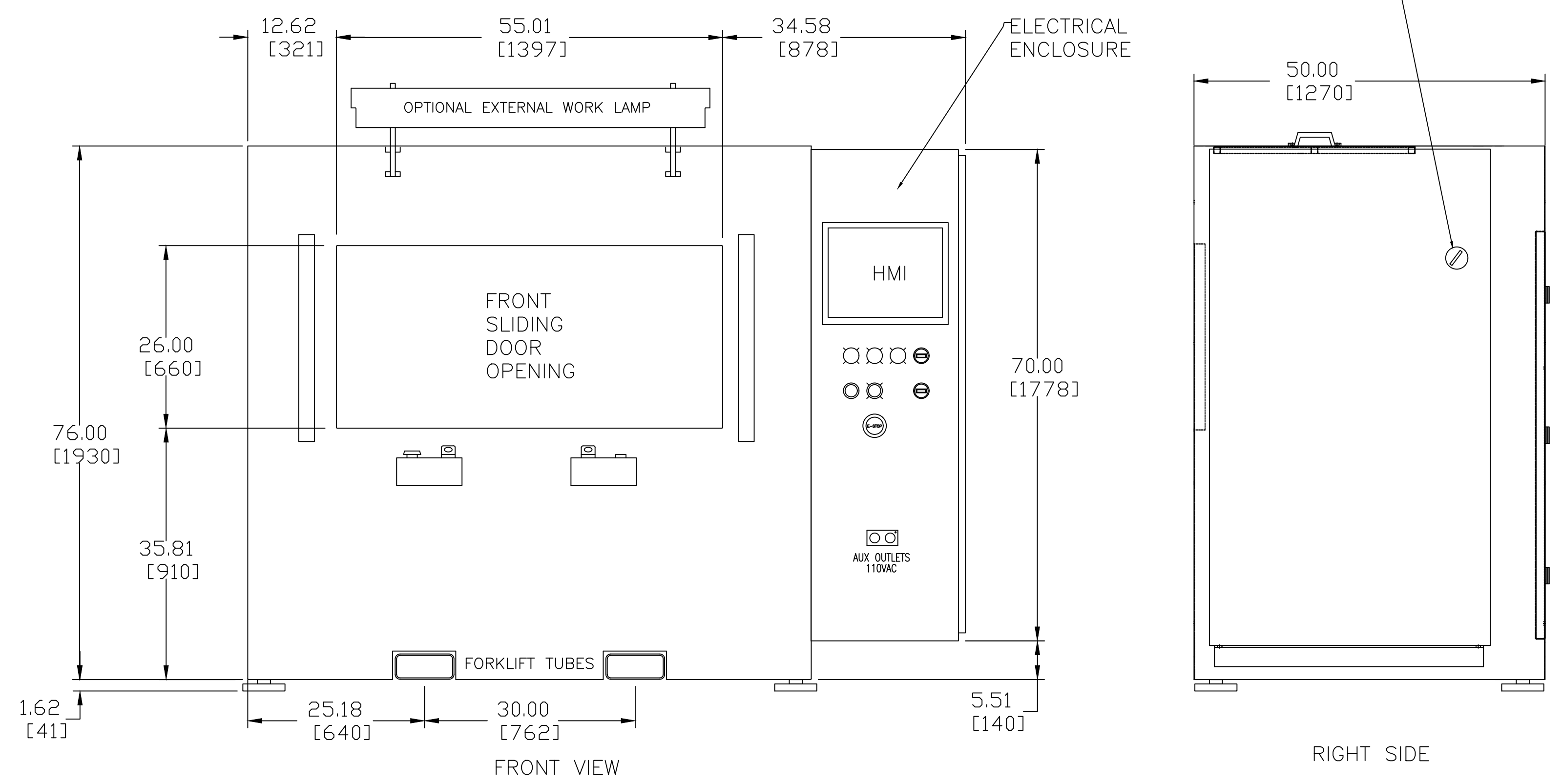
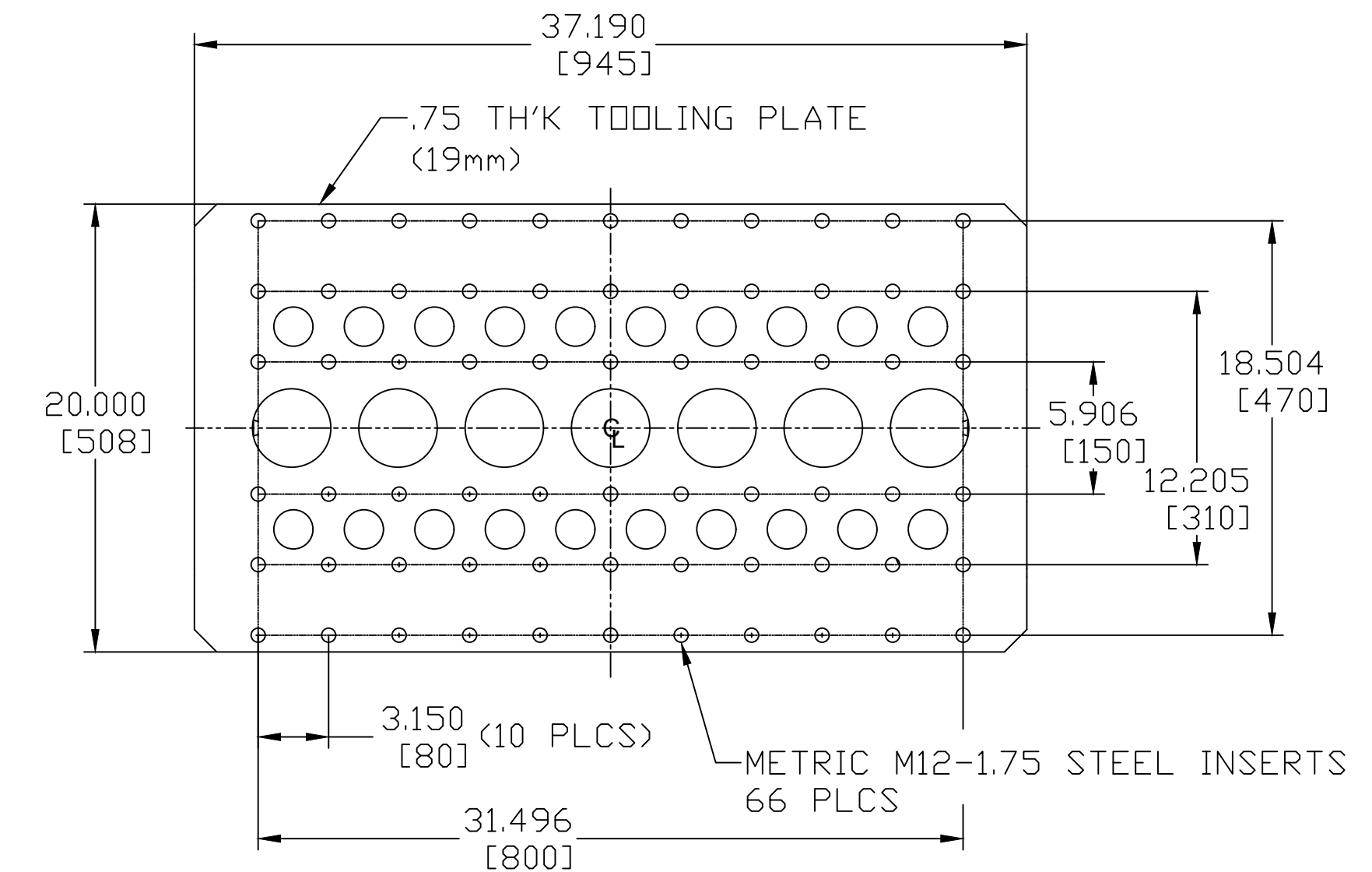
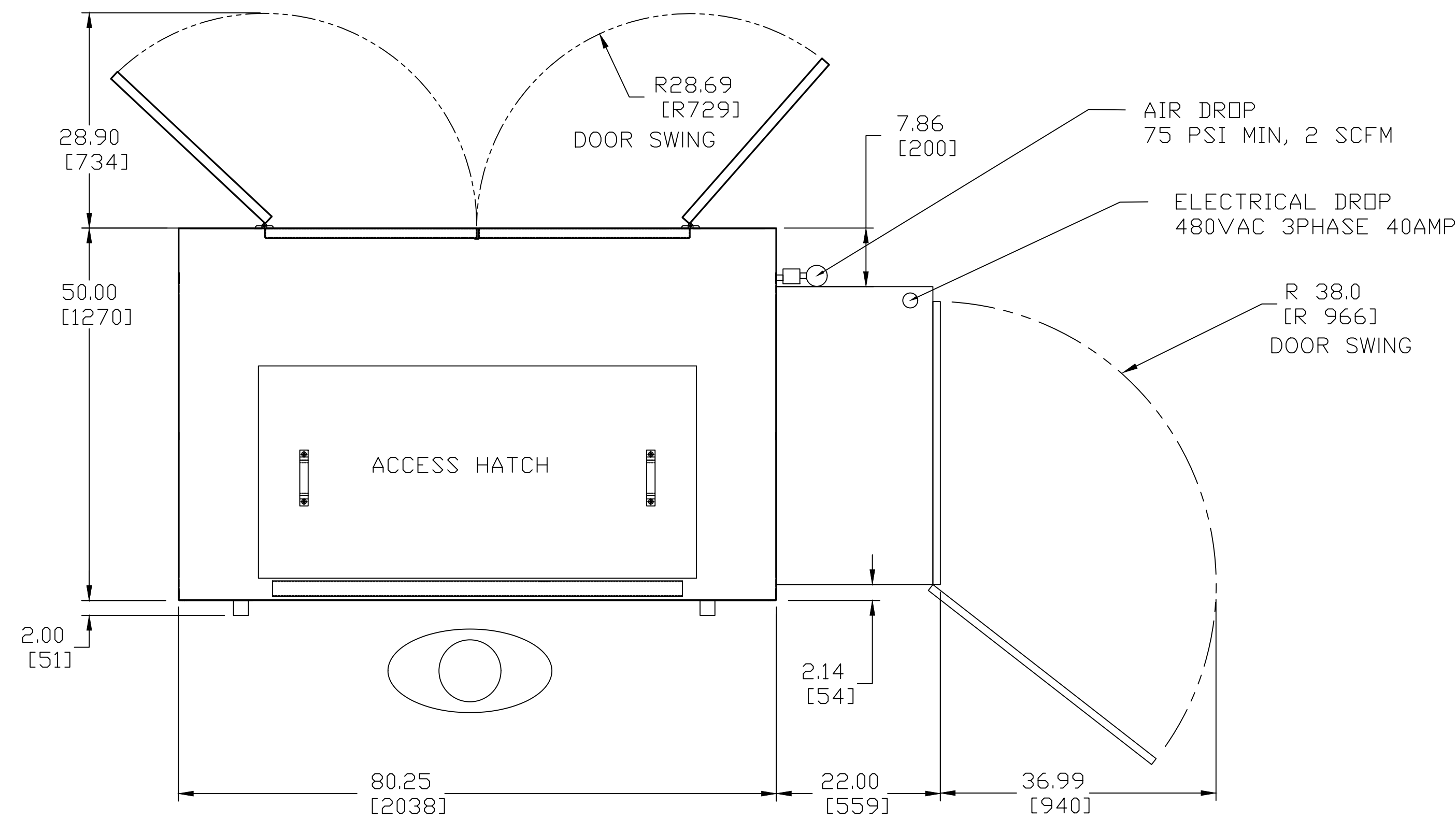


REVISIONS				
ISS	DESCRIPTION	DRAWN	APP'D	DATE
01	UPDATED GEOMETRIES AND PATTERNS: ECN 9263	TH	TH	7/8/2014

NOTE:
VWB4700LPT, VW5700LPT ARE DIMENSIONALLY IDENTICAL. CONTROLS AND FEATURES DIFFERENTIATE THE MODELS.



WEIGHT: 7400 LBS

COMPUTER GENERATED DO NOT MANUALLY REVISE	MATERIAL		FINISH		UNLESS OTHERWISE SPECIFIED DIMENSIONS ARE IN		FRACTIONS: +/-	2 PLACE DECIMAL: +/-	3 PLACE DECIMAL: +/-	ANGLES: +/-
	NEXT ASSY	FIRST USED	DUKANE		VIBE WELDER LAYOUT X700LPT SERIES		SCALE	ECN 8446	DATE 11-15-11	
	APPLICATION		ST.CHARLES, ILLINOIS 60174				DRAWN TH	APP'D TH	NO. 400-2341	
							CHECKED TH	ENGR TH	SHEET	ISS

FILENAME:
REF FILE: