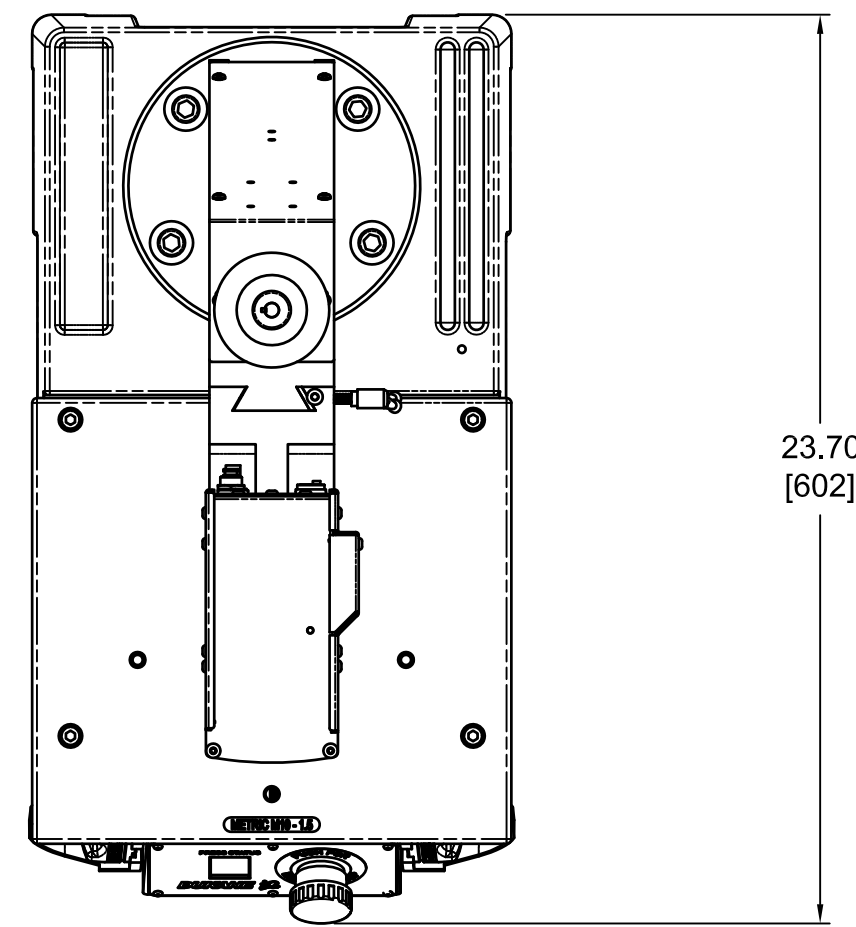


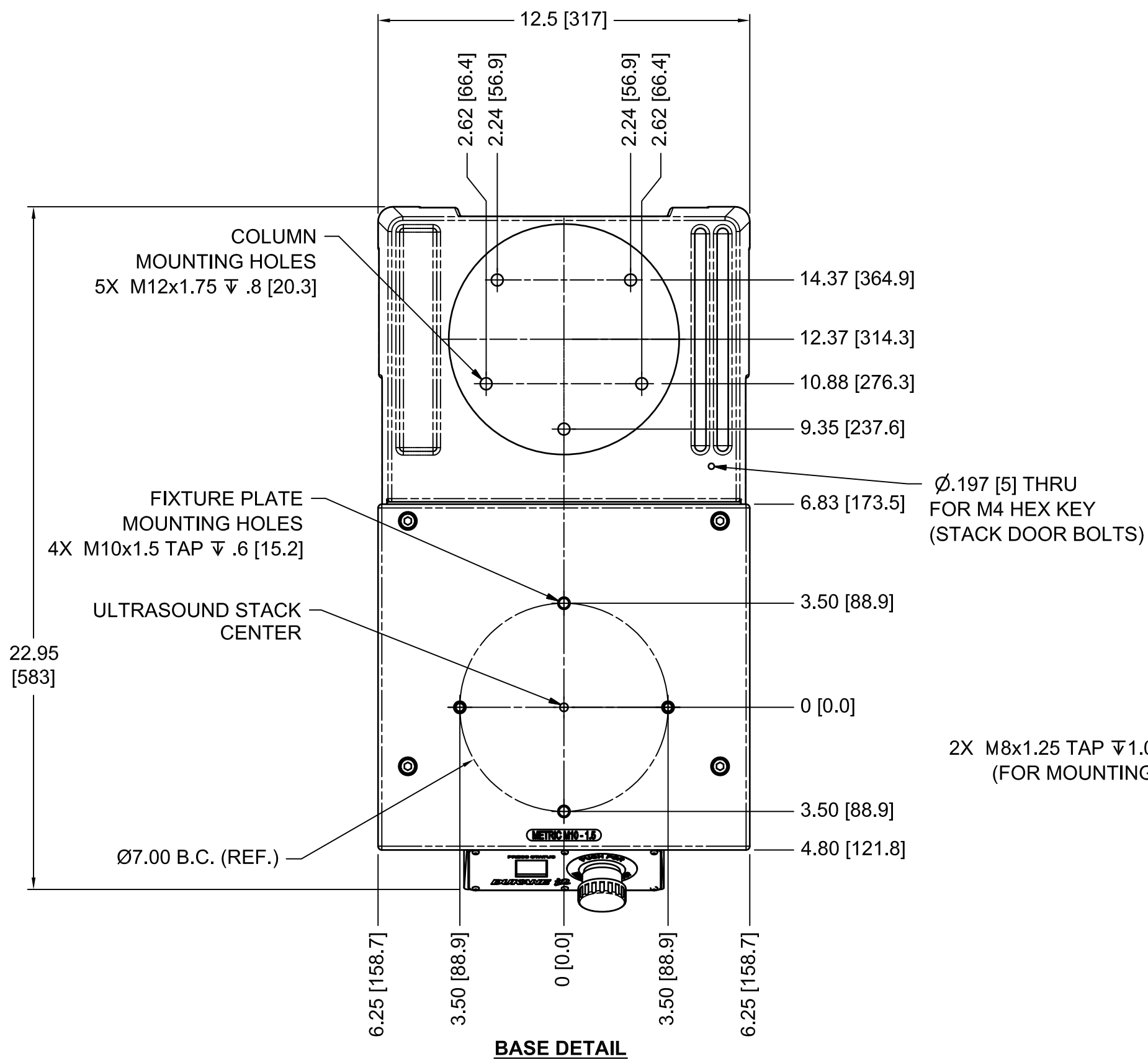
REMOTE CONTROLLER  
(SEE NOTE 5)



23.70  
[602]

NOTES:

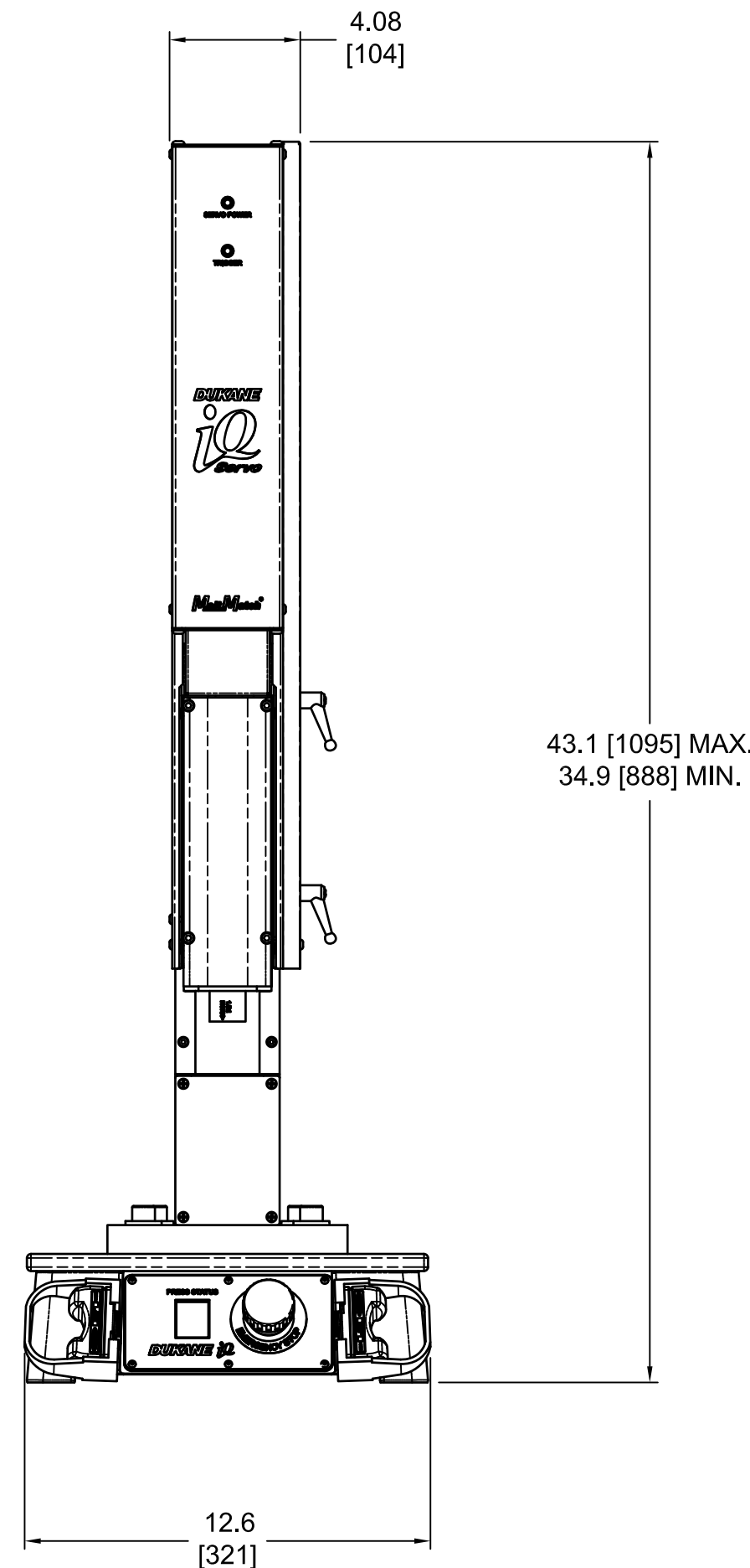
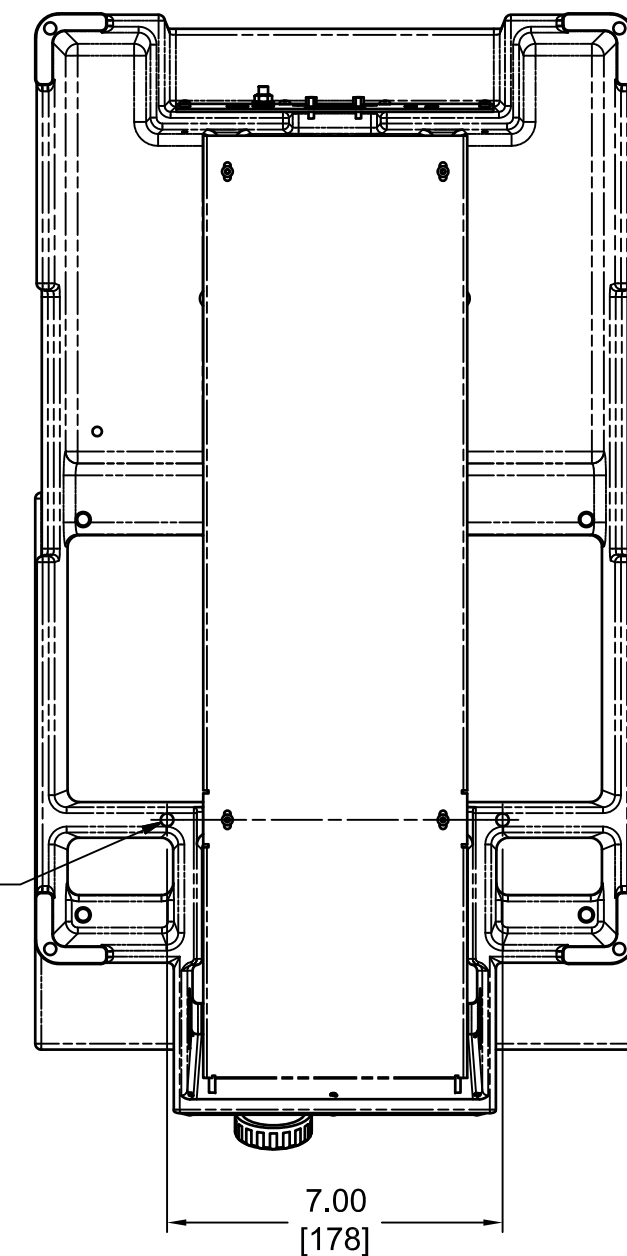
1. ALLOW MINIMUM OF 6" [150mm] CLEARANCE BEHIND WELDER FOR CONNECTORS.
2. BOOSTER LENGTH VARIES DEPENDING UPON GAIN RATIO. (DIMENSIONS ARE FOR REFERENCE ONLY).
3. HORN DIMENSIONS VARY DEPENDING UPON DESIGN, MATERIAL, AND TUNING FREQUENCY. TYPICAL LENGTHS RANGE FROM 2.5" [64] FOR 40kHz TO 6" [152] FOR 20kHz. CONTACT DUKANE ULTRASONICS HORN DEPARTMENT FOR DIMENSIONS FOR SPECIFIC APPLICATIONS.
4. MAXIMUM STROKE LENGTH 3.5" [89 mm].
5. THRUSTER MUST BE USED WITH REMOTE CONTROLLER - REFER TO DRAWING 400-2317.
6. FOR THRUSTER DIMENSIONS, REFER TO DRAWING 400-2316.



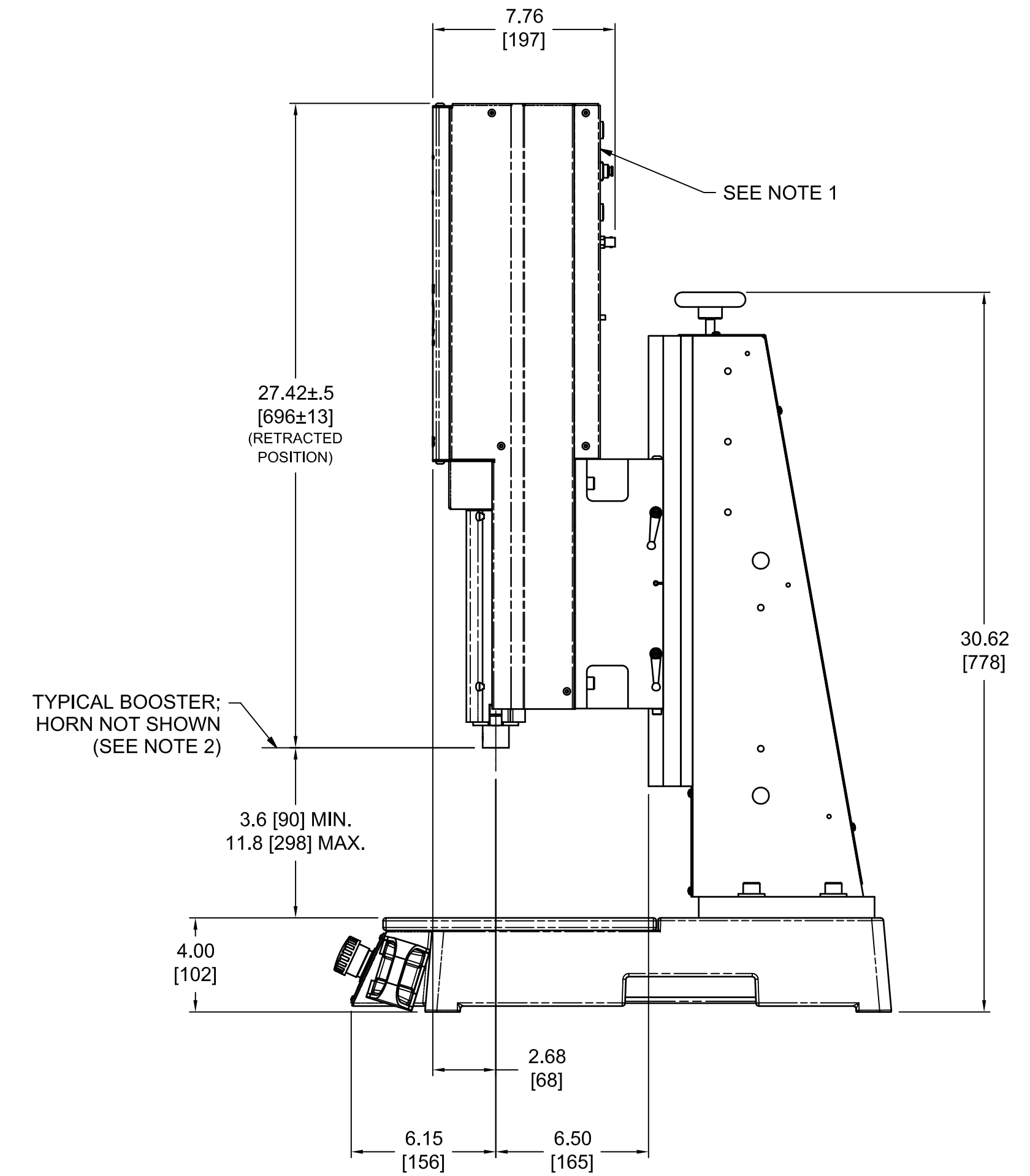
BASE DETAIL

Ø.197 [5] THRU FOR M4 HEX KEY (STACK DOOR BOLTS)

2X M8x1.25 TAP  $\nabla$ 1.00 [25.4] MIN (FOR MOUNTING TO TABLE)



43.1 [1095] MAX.  
34.9 [888] MIN.



TYPICAL BOOSTER; HORN NOT SHOWN (SEE NOTE 2)

WEIGHT: 150 lb. [69 kg] (EXCLUDING REMOTE CONTROLLER AND ULTRASONIC TOOLING)

CAD GENERATED; DO NOT MANUALLY REVISE  
SHEET SIZE: D

UNLESS OTHERWISE SPECIFIED, DIMENSIONS ARE: INCH [MM]



LAYOUT - IQ MINI SERVO ULTRASONIC PRESS SYSTEM

SCALE: 1:5  
DRAWN: PG  
CHECKED: PG  
ECN: 8061  
APPROVED: PG  
ENGINEER: PG

DATE: 11/13/2010  
NO. 400-2318  
SHEET 1 OF 1  
ISS 02