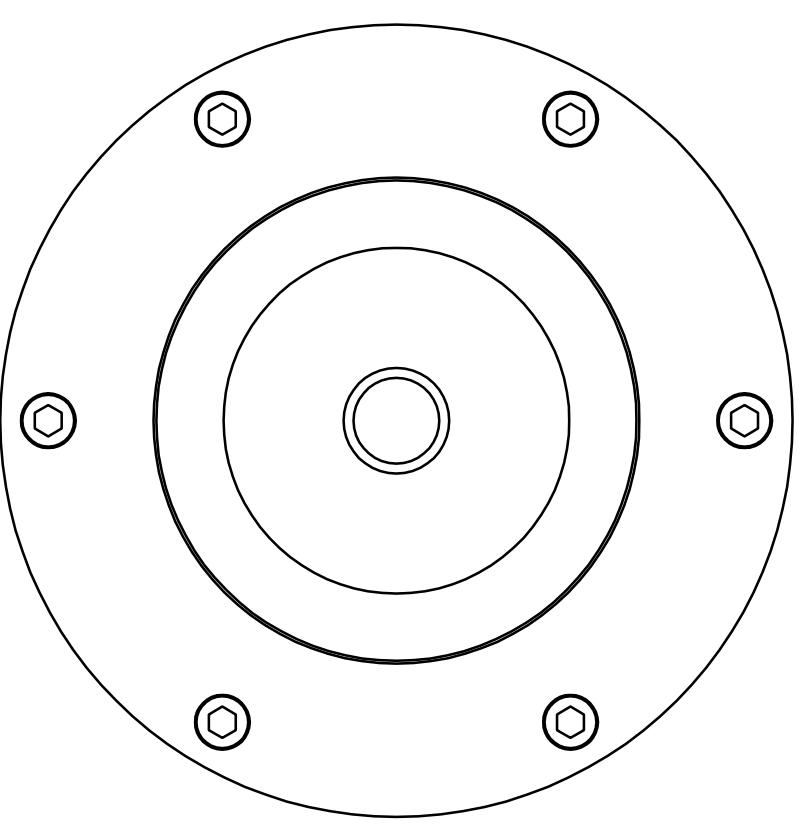
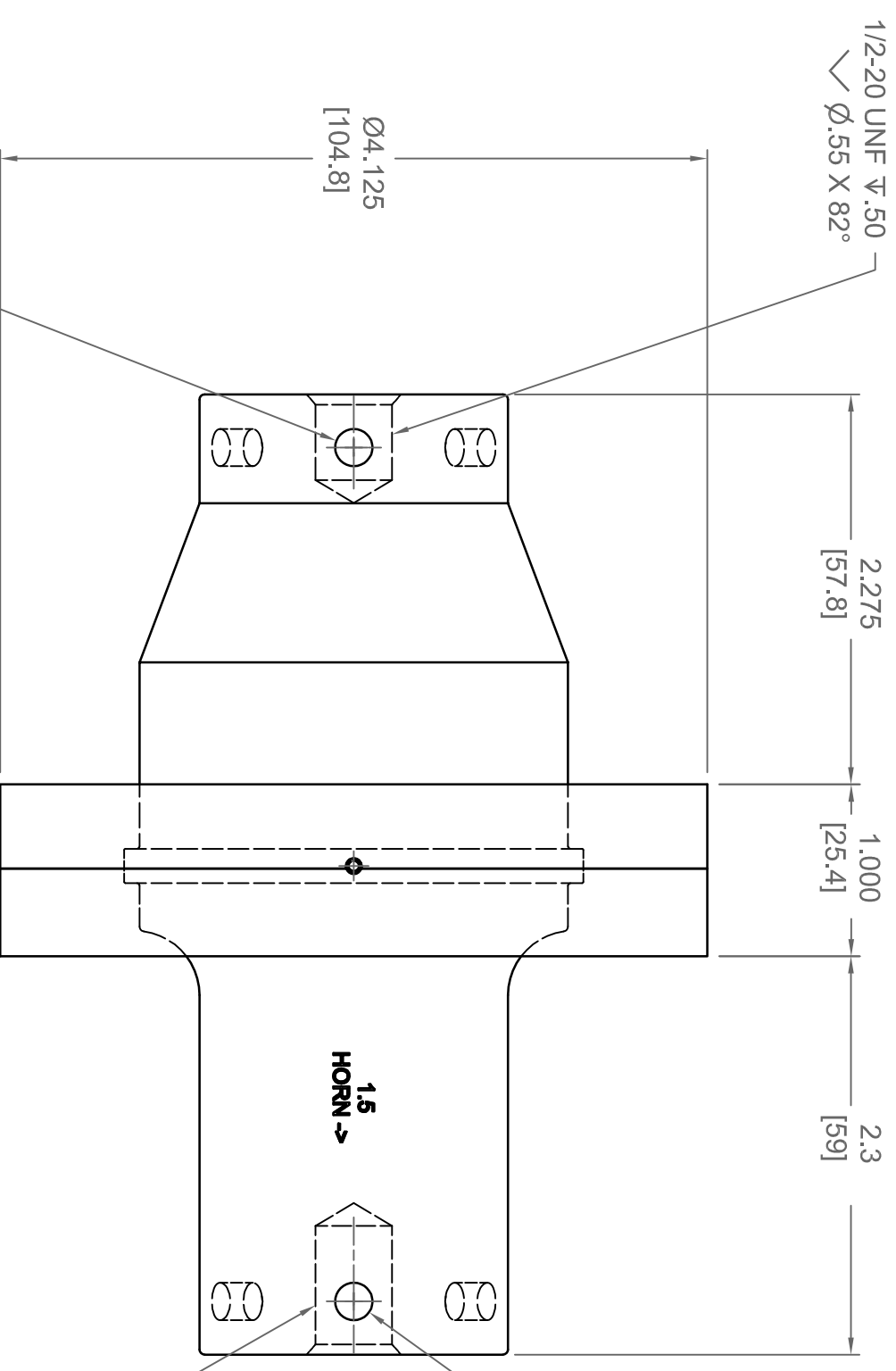


REVISIONS				
ISS	DESCRIPTION	DRAWN	APP'D	DATE



- NOTES:
1. INSTALL STUD AND TORQUE TO 10-20 in-lbs.
 2. BOOSTER LENGTHS MAY VARY +/- .3" DEPENDING UPON GAIN RATIO AND MATERIAL PROPERTIES.

MATERIAL: FINISH: -

UNLESS OTHERWISE SPECIFIED: DIMENSIONS ARE IN INCHES 2 PLACE DECIMAL: ± .010 3 PLACE DECIMAL: ± .005 FRACTIONS: ± 1/64 ANGLES: ± .5°

CAD GENERATED DO NOT MANUALLY REVISE		UNLESS OTHERWISE SPECIFIED:	DIMENSIONS ARE IN INCHES	2 PLACE DECIMAL: ± .010	3 PLACE DECIMAL: ± .005	SCALE:	ECN:	DATE:	FRACTIONS: ± 1/64	ANGLES: ± .5°
	NEXT ASSY					FIRST USED	1:1	8552	2/10/2012	
SHEET SIZE: B	APPLICATION	ST. CHARLES, ILLINOIS 60174	ASSY BOOSTER 1.5:1 20KHZ 4800W TI			DRAWN TH	APPROVED WJ	NO. 110-4266		
						CHECKED WJ	ENGINEER WJ	SHEET 1 OF 1		ISS

