

SRT-50

ROTARY PARTS HANDLING SYSTEM

The Dukane SRT-50 Rotary Parts Handling System is a space-saving, self-contained unit that can be economically operated as a manual or semiautomatic plastics assembly system. The Dukane SRT-50 can be operated on any flat, sturdy surface and features a standard six-station rotary table, dial plate, and safety guarding. Welding, staking, inserting, swaging, and spot welding are compatible welding applications, where light to medium duty service is required.

FEATURES

- **Rugged, heavy duty construction** using the highest quality components provides superior performance, precision, and reliability
- **Mounts to any Dukane press system**
- **20" (508mm) aluminum dial plate**
- **Six-station Camco roller gear index table** is standard. Indexes of 4, 8, 12, 24, and 32 are also available
- **Allen Bradley Micrologics Programmable Controller** is standard
- **Circuit breaker is built into the ON/OFF switch** to provide protection of electronic components
- **Single knob control for RUN/JOG.** Separate pushbutton control for STOP
- **Light indicates suspect or bad parts** when the SRT-50 is used with a Dynamic Process Controller™ (DPC)
- **Optional air eject of parts** (where applicable)
- **Rotary motor speed control** permits setting an appropriate cycle rate for different part types
- **Emergency stop switch** mounted on a replaceable pivoting panel stops the system when improper part entry is detected
- **Safety guarding** provides viewing access to the welding area



WARRANTY

The Dukane SRT-50 Rotary Parts Handling System carries a one-year warranty on all parts, materials, and workmanship.

The SRT-50 Rotary Parts Handling System does not include horns or fixtures. Horns and fixtures are quoted by request on a custom basis. Maximum fixture size is 4" (102mm) in diameter or 4" x 4" square, not to exceed 7 lbs. (3.2 Kg) in weight (fixture and part) per station at an index speed of one second.

Dukane Ultrasonics offers a complete line of rotary parts handling systems, slide tables, and multi-headed assembly systems to meet most any manufacturing requirement.

SPECIFICATIONS

Pneumatic Requirements

- 80 psi of clean, dry air
- 1/4" NPT air line connection to the press/thruster

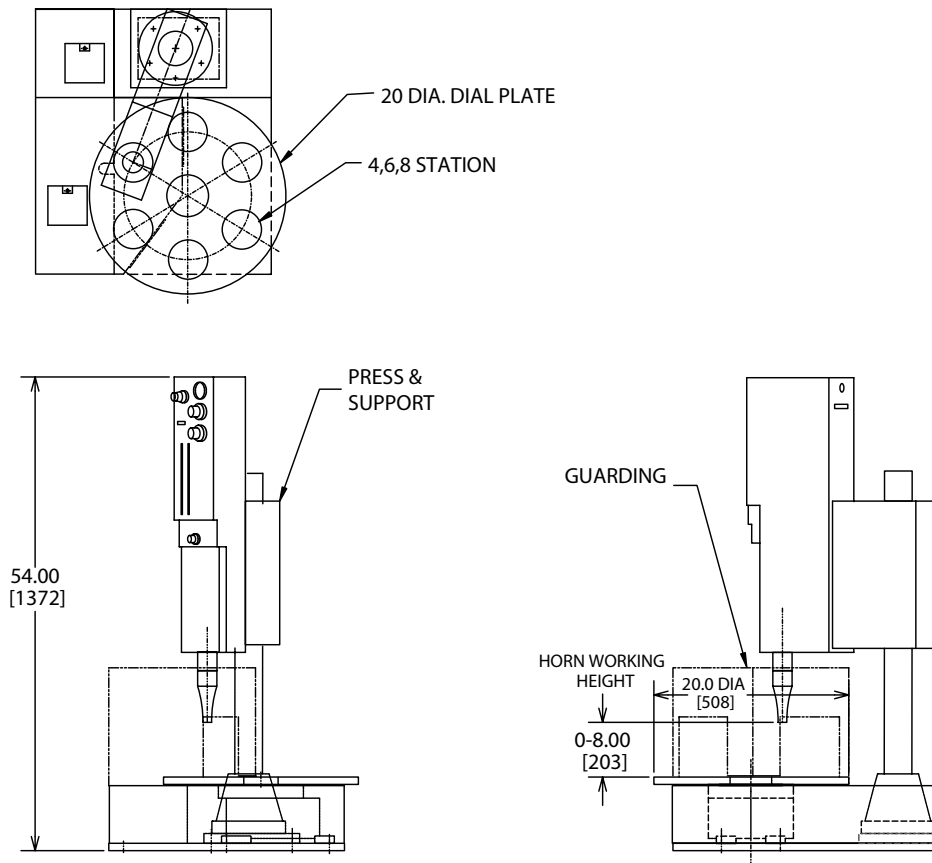
Power Requirements

- 120V, 10A, 50/60 Hz
- Proper grounding is required

Physical Dimensions

- Height: 54.00" (1372mm) max.
- Width: 24.00" (610mm)
- Depth: 27.00" (686mm)
- Dial plate diameter: 20.00" (508mm)
- Horn working height above dial plate: 0.00 – 8.00" (0 – 203mm)
- Weight: 175.00 lbs (79 Kg)

INCHES
(MILLIMETERS)



Unit shown without safety guarding. Consult Dukane for specific application dimensions.
(Press system not included with SRT-50 Rotary Parts Handling Unit)