

DDSM 20/40 Ultrasonic Sewing Machine



DDSM 20/40 Ultrasonic Sewing Machine shown with the Model DPC 1

Dukane's DDSM 20/40 Ultrasonic Sewing Machine can be used to "sew" thermoplastic material using either 20 kHz, 30 kHz or 40 kHz equipment. Some of the advantages of ultrasonic sewing/slitting include **no consummables** (eliminates needles and thread), **no stitch holes in the material** (eliminates leaks), **slit edges are automatically sealed** (prevents unravelling), and **single operation for cut and seal** (saves time and cost). The machine is equipped with adjustment capabilities to allow for a variety of sewing and slitting operations.

- Can be used with either 20 kHz, 30 kHz or 40 kHz equipment
- LED display for easy process monitoring
- 19" (483mm) throat
- Independent controls for slitting and rotary anvil welding
- Dual sealing capabilities with independent adjustments
- Edge guiding, rewinding, and feed rolls can be used
- Can be operator controlled as a benchtop unit or integrated into an existing line

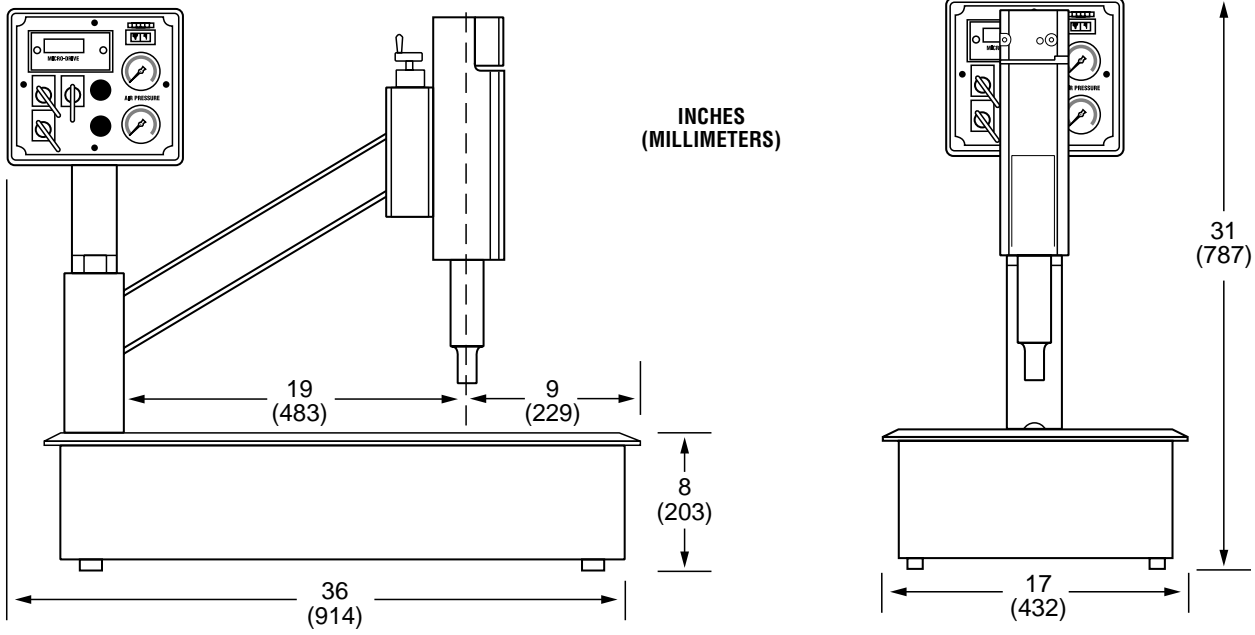


***Ultrasonic Rotary Stitching
Wheels come in many
different patterns to meet
your application needs.***

Note: Operating specifications may vary depending on material and/or process conditions. Please consult your local Dukane representative regarding the details of your specific requirements.

www.dukcorp.com/us • e-mail: ussales@dukcorp.com

SPECIFICATIONS



**Model shown with
1200 watt 20 kHz
Dynamic Process Controller (DPC 1)**

- Patented Pulse-Width Modulation design delivers power more efficiently with substantially less stress on the electrical components for superior performance, reliability, and extended service life
- Unique Linear Ramp Soft Start accelerates the transducer and tooling up to operating amplitude eliminating mechanical and electrical starting stress
- Auto-Trac tuning using phase lock loop technology automatically locks the generator to the resonant frequency of the transducer and tooling even under varying conditions of temperature and loading
- High performance fan and improved heat sink design extend component life and efficiently maintain high power during continuous duty applications
- Line regulation compensates for line fluctuations assuring consistent amplitude
- Load regulation assures constant amplitude at various loads improving assembly consistency
- Power Factor Correction option brings input current and voltage in phase for maximum utilization of power (energy)
- Electronic overload protection prevents component failure, reducing costly downtime

Frequency	20 kHz	30 kHz	40 kHz
Level 1	1200 watt, 1700 watt & 2200 watt	1500 watt	700 watt
Level 2	1200 watt, 1700 watt, 2200 watt & 3300 watt	1500 watt	700 watt

NOTES: Allow 5.5" (140mm) on depth dimension for cable connections and 2.0" (51mm) on each side for air circulation. *Current draw at full-rated output.

NOTE: All specifications subject to change without notice. Please consult Dukane Corporation for any updated information.