

# VW5300 Vibration Welder

Table Size 24" (610mm)  
by 18" (455mm)



### FEATURES

- Electromechanical vibration head assembly (200-240 Hz)
- Super rigid structural steel frame
- One piece flame cut bridge (heaviest in class)
- Super rigid twin rail block type lift bearings
- Solid state 40hp digital variable frequency drive
- Hydraulic lift / clamp force maximum 3000 lbs. (13,200N) 10 gallon or 38L reservoir
- Real time graphing of amplitude, force and distance
- B&R 15" color industrial computer HMI
- B&R input and output for all standard machine functions
- Intuitive and interactive comprehensive help menu
- Part parameter monitoring with programmable limits
- Multilingual capabilities (English, Spanish, German, Japanese, Chinese, French, Czech)
- Automatic tuning with auto ping mode
- Programmable amplitude 0.020" to 0.070" (.5 to 1.8mm)
- Weld by time or weld by distance
- Interior work light
- Optical zero force cycle start activation switches
- Light curtain for single switch activation
- Lean cell machine design
- Programmable amplitude and pressure profile, up to 5 steps

### SPECIFICATIONS

- Table and maximum lower tool size 24" x 18" (610 x 455mm)\*
- Door opening 26" high x 31" wide (660 x 790mm)
- Upper tool weight 20 – 55 lbs. (9-25 kg)
- Upper tool maximum size 20" x 14" (510mm x 355mm)
- Low 38" (965mm) lift table height
- 20" (500mm) stroke, 25" (630mm) max. opening, min. tool height 5.5" (140mm)
- Small 48" x 52" (1.2 x 1.4 m) machine foot print
- 80 dB maximum in operation (continuous measurement)

### Options

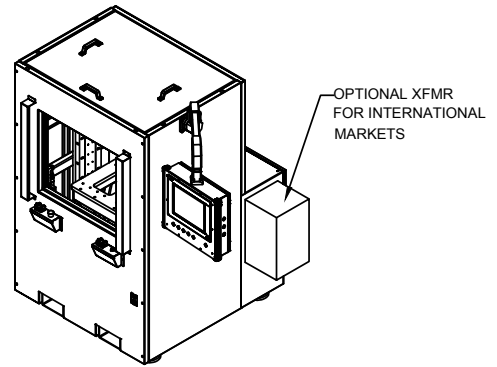
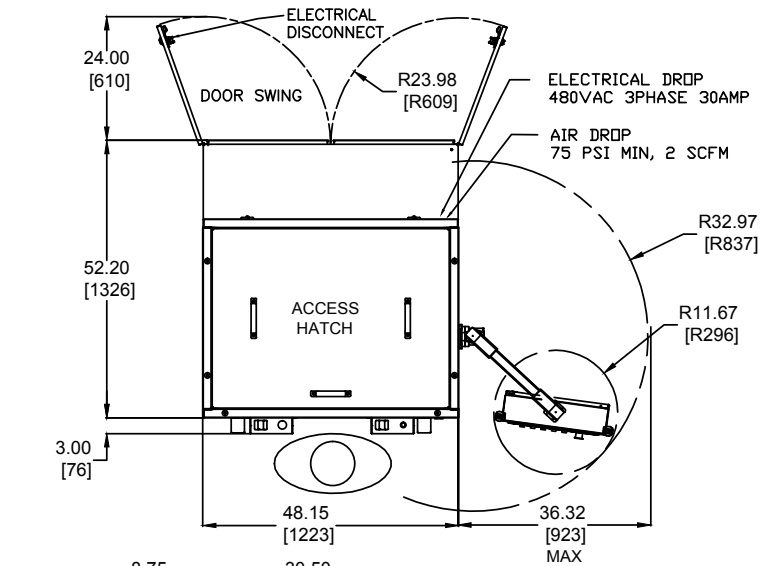
- Position adjustable cycle activation switches
- Exterior work light
- Optional PLC for custom functions (will not run standard machine operation)
- Custom paint specification
- Rear sliding door for pass through operation
- Programmable pneumatic valves for clamps and slides
- Programmable part-in-place sensing
- Custom quoted machines with non-standard: frame sizes, lift tables, stroke lengths, etc., using standard vibration heads available.

\*Tooling can in some instances overhang the back of table by modest amount. Consult Dukane for more information.

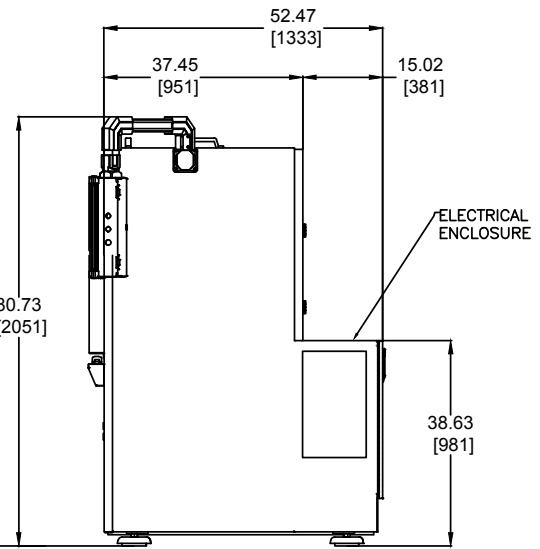
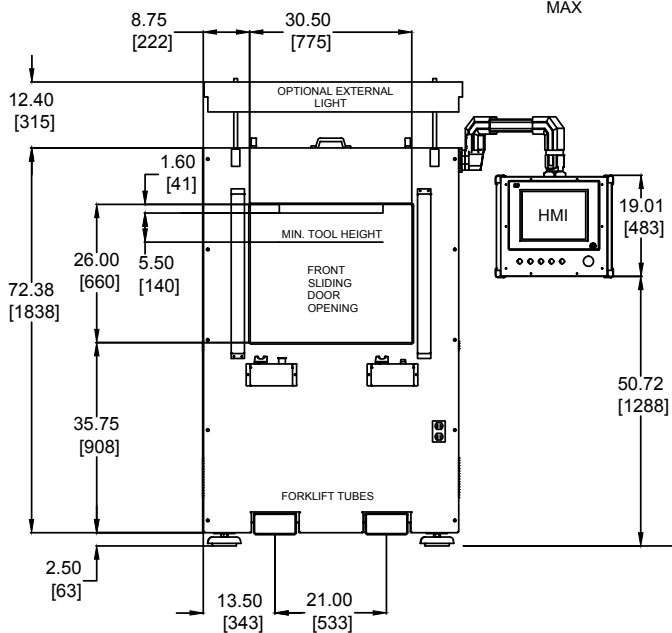
# VW5300 Vibration Welder Dimensions

## VW5300

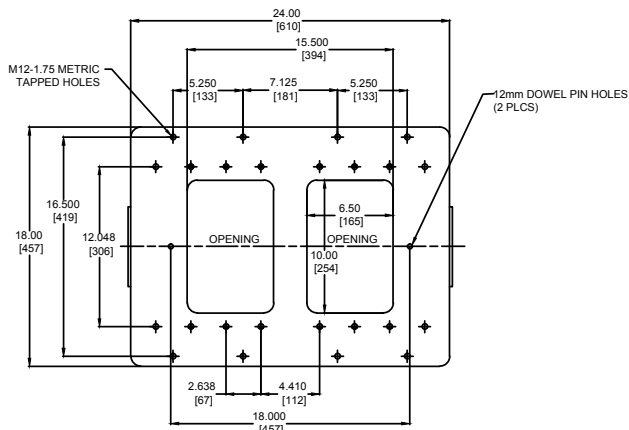
4500 LBS



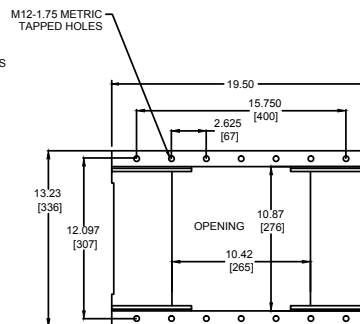
WEIGHT: 4500 LBS



### Fixture hole patterns and dimensions



LIFT TABLE



UPPER TOOL

Electric Service Required: 480V, 3 Phase, 30 Amps (custom input voltage kits available)  
 Pneumatic Service Required: 75 to 90PSI (5-6 Bar)  
 Approximate Shipping Weight 4500 lbs, (2046 kg)

Note: All specifications are subject to change without notice. Please consult Dukane Ultrasonics for any updated information.



#14-0064-00