

# SRT-300

## ROTARY PARTS HANDLING SYSTEM

The Dukane SRT-300 Rotary Parts Handling System is designed for economical manual or semiautomatic operation with a freestanding base, welder, 6-station rotary table, dial plate, and safety guarding. Welding, staking, inserting, swaging, and spot welding are compatible welding applications where medium to heavy-duty service is required.

### FEATURES

- **Rugged, heavy-duty construction** using the highest quality components provides superior performance, precision, and reliability
- **30" (762mm) aluminum dial plate**
- **6-station Camco roller gear index table** is standard. Indexes of 4, 8, 12, 24, and 32 are also available
- **Allen Bradley Micrologics Programmable Controller** is standard
- **Single knob control for RUN/JOG.** Separate pushbutton control for STOP
- **Light indicates suspect or bad parts** when the SRT-300 is used with a Dynamic Process Controller™
- **Optional air eject of parts** (where applicable)
- **Rotary motor speed control** permits setting an appropriate cycle rate for different part types
- **Emergency stop switch** mounted on a replaceable pivoting panel stops the system when improper part entry is detected
- **All steel freestanding machine base** with levelers featuring a 1" (25.4mm) thick ground steel top plate
- **Optional pneumatic controls** include filter, regulator, and gage assembly for single air line supply to both rotary table and welding system
- **Optional robotic part removal** of welded parts
- **Safety guarding** provides viewing access to the welding area



### WARRANTY

The Dukane SRT-300 Rotary Parts Handling System carries a one (1) year warranty on all parts, materials, and workmanship.

Dukane's SRT-300 Rotary Parts Handling System does not include horns or fixtures. Horns and fixtures are quoted by request on a custom basis. Maximum fixture size is 8" in diameter or 7" x 7" square, not to exceed ten (10) pounds in weight (fixture and part) per station at an index speed of one (1) second.

# SPECIFICATIONS

## Pneumatic Requirements

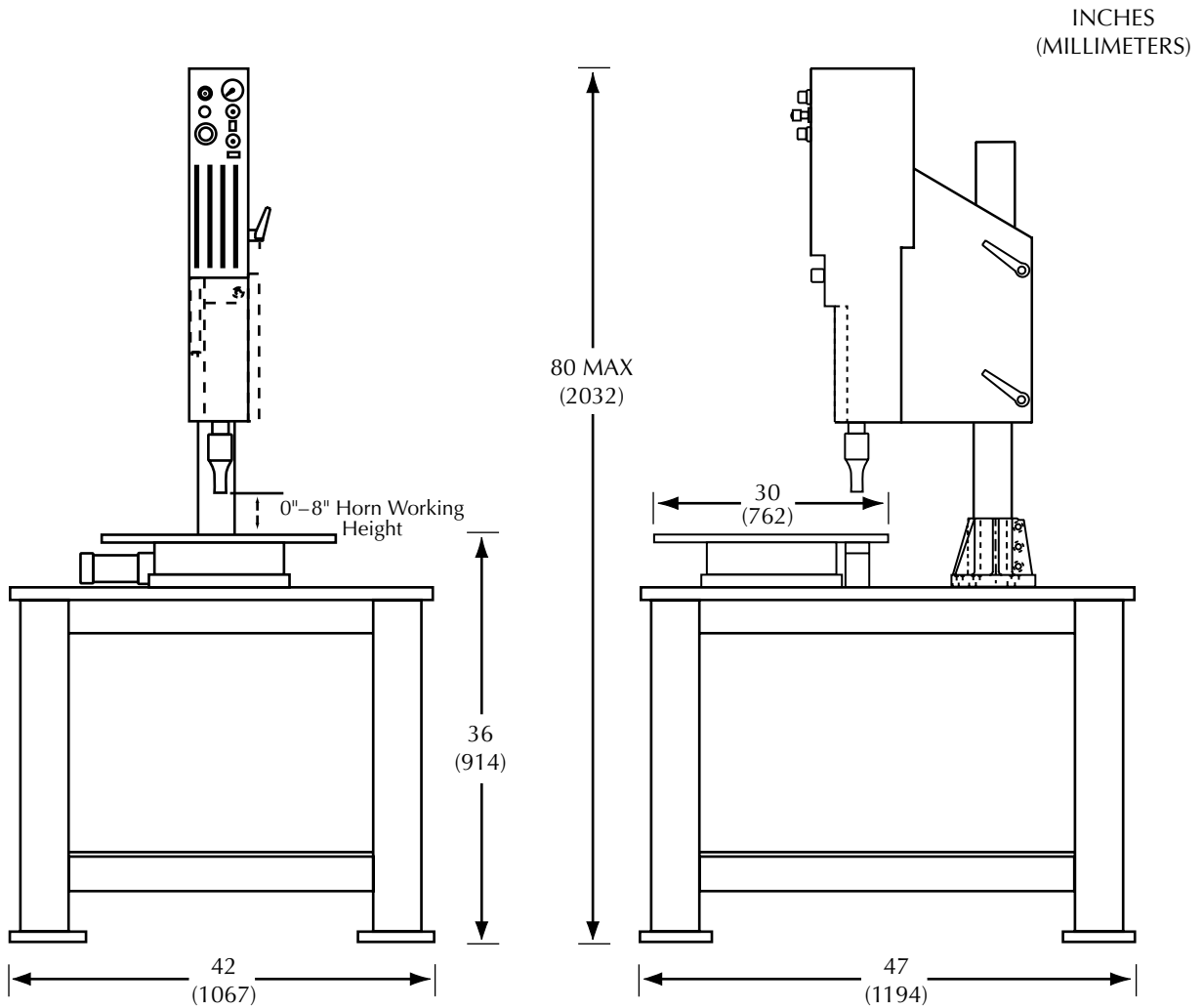
- 80 psi of clean, dry air
- 1/4" NPT air line connection to the press/thruster

## Power Requirements

- 120/240 V, 15 amp, 50/60 Hz, depending on the generator option
- Proper grounding is required

## Mechanical Specifications

- Height: 80" (2032mm) max.
- Width: 42" (1067mm)
- Depth: 48" (1219mm)
- Dial plate diameter: 30" (762mm)
- Horn working height above dial plate: 0 – 8" (0 – 203mm)
- Weight: 1200 lbs (544 Kg)



Unit shown with safety guarding removed. Consult Dukane for specific application dimensions.

NOTE: All specifications subject to change without notice. Please consult Dukane Corporation for any updated information.