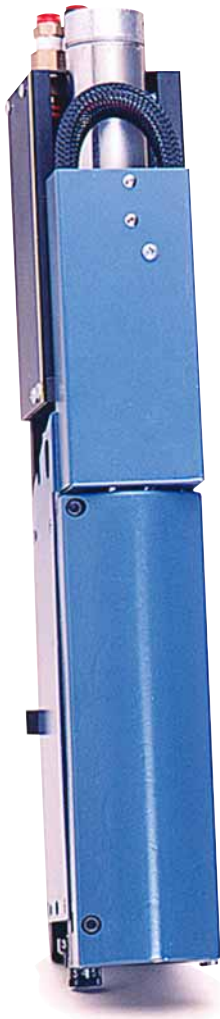


30/40 kHz Model 405

REMOTE THRUSTER ASSEMBLY SYSTEM



The Model 405 remote thruster is a compact ultrasonic welder specifically designed for mounting in multihead installations or integrated assembly systems. Its small, efficient size makes it an ideal choice for solitary welding operations or as a part of more sophisticated assembly operations using inline index systems, rotary tables, vibratory bowl feeders, or pick and place systems. The remote pneumatics unit provides easy access to the pneumatic controls and allows them to be relocated and consolidated with other system controls.



FEATURES

- **Narrow 3-1/8" (79mm) profile** for close center-to-center distances in multihead and automated installations
- **Rugged construction** using the highest quality components provides superior performance, precision, and reliability
- **Heavy duty precision slide assembly** with 5/8" (16mm) diameter steel rods and sealed Thomson ball bushings pre-loaded for clearance-free, frictionless operation
- **Dual pressure** increases clamp force to improve melt during the weld cycle, or to provide tighter assembly during the hold cycle
- **Remote pneumatics availability offers increased flexibility in system integration**
- **4" (102mm) stroke** provides size flexibility with different applications
- **Top-of-stroke limit switch** for automation applications
- **Hinged transducer door** for quick, easy tooling changeovers
- **Full-speed upstroke with adjustable top-of-stroke cushion**
- **Compatible with all current Dukane assembly system components**
- **Can be used with 30 kHz and 40 kHz Dynamic Process Controllers™** in 350, 700, 1000, and 1500 watt power levels

SPECIFICATIONS

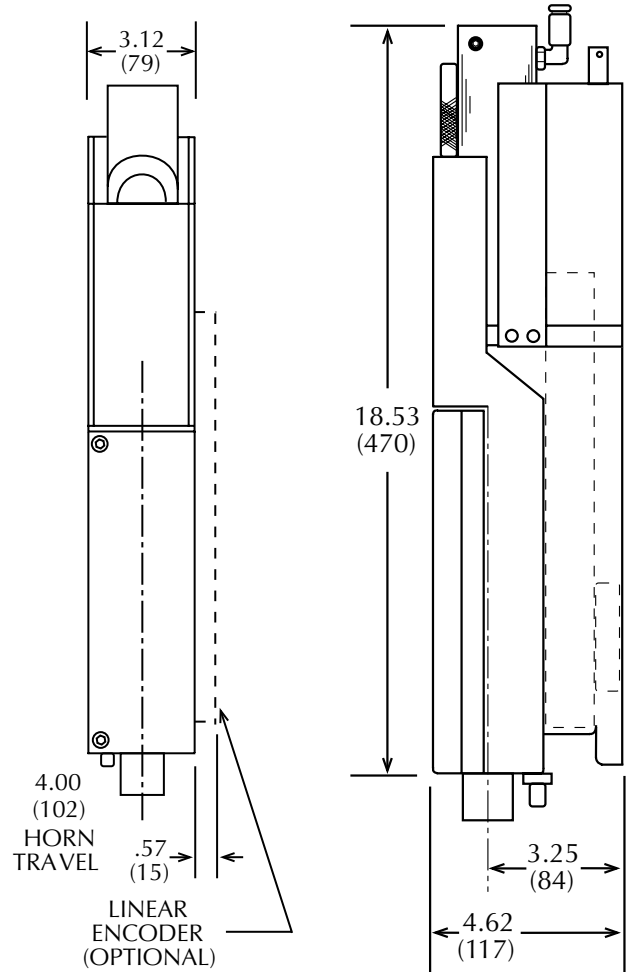
Pneumatic requirements: 80-110 psi max. clean, dry air

Maximum available clamp pressure: 194 lbs @ 110 psi with standard 1.50" (38.1mm) air cylinder

Allow 5.00" (130mm) behind the press/thruster for air line and cable connections

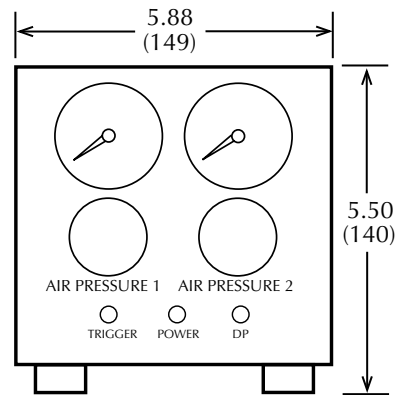
Thruster Dimensions

Housing height:	18.53" (470mm)
Housing width:	3.12" (79mm)
Housing depth:	4.62" (117mm) at greatest point
Weight:	10.00 lbs (4.5 Kg)



Remote Pneumatics Unit Dimensions

Housing height:	5.50" (140mm)
Housing width:	5.88" (149mm)
Housing depth:	11.00" (279mm)
Weight:	6.00 lbs (2.7 Kg)



Options

Adjustable thruster mount

0.75" (19mm), 0.875" (22mm), 1.0" (25mm), and 1.25" (32mm) air cylinders

Linear optical encoder (requires DPC III or IV & Distance module)

