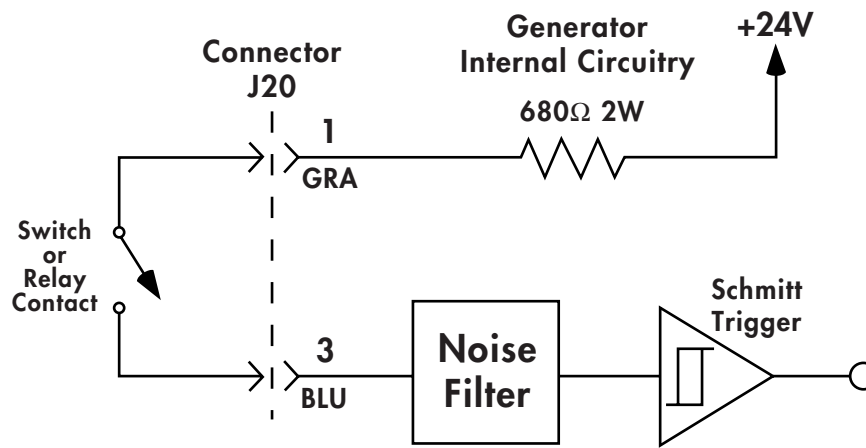


Application Note 101

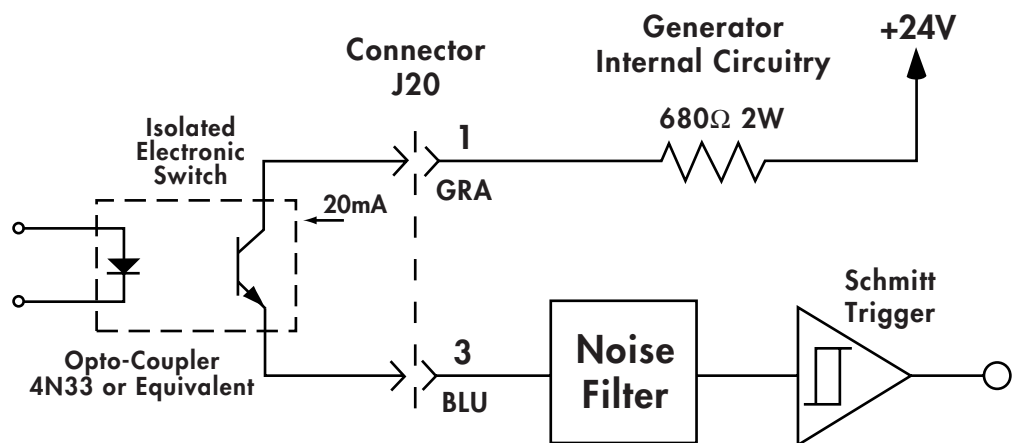
Operational Control Input

- Connector J20 pins 1 and 3 located on the rear panel of the generator can activate the ultrasound output with a switch closure (either mechanical or electronic). Opening the switch will deactivate the ultrasound output.
- The external switch must be capable of switching 24Vdc @ 20mA reliably
- The signal applied to this input is conditioned with a noise filter (15-20 mSec. delay) to filter switch bounce, and Schmitt Trigger logic for improved noise immunity.

Switch Closure Operate Input Connection Examples



Example 1 Using an External Switch



Example 2 Using an Isolated Opto-Coupler

Dukane Ultrasonics • 2900 Dukane Drive • St. Charles, Illinois 60174 USA
TEL (630) 584-2300 • FAX (630) 584-3162
www.dukane.com • usinfo@dukane.com